

MICROSHIELD® 1.5L Dispenser Installation Guide

Installation guide for MICROSHIELD® 1.5L wall dispensers:

- Wall dispenser with push button - code 70000393
- Wall dispenser with arm lever - code 70000394
- Wall dispenser with long arm - code 70000395
- Wall dispenser with short arm - code 70000396
- Wall dispenser adhesive backing plate - code 70000397



Figure 1.

1. Remove mounting cover plate by pushing a screwdriver through one of the attachment holes in the back of the dispenser. Figure 1.
2. The MICROSHIELD® dispenser has multiple drill holes through which the dispenser can be affixed to the wall. Figure 2.
3. The dispenser should be mounted with appropriate fastenings which will be dependent on the wall type and surface. *(Due to the variability in wall types, fastenings are not provided.)*

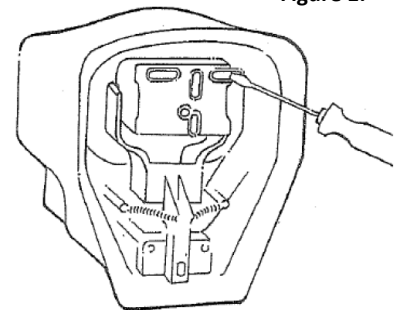
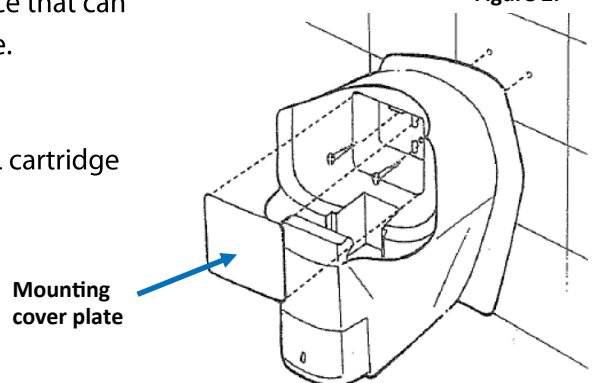


Figure 2.

- If the dispenser is to be mounted on glass or another surface that can not be drilled, an adhesive backing plate option is available.
4. Replace mounting cover plate.
 5. Once securely fastened to the wall, the MICROSHIELD® 1.5L cartridge can be inserted into the dispenser.



For further information please call Schulke Customer Service on 1800 724 855.